

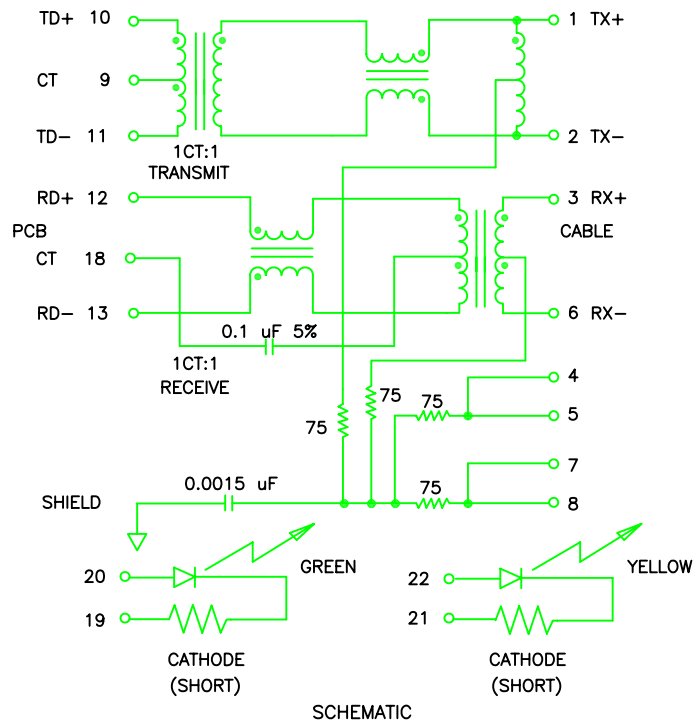
JWO-0009NL

NOTICE: THE INFORMATION AND DESIGN CONTAINED HEREIN IS THE PROPERTY OF PULSE WHO RESERVES ALL RIGHTS THERETO.

ELECTRICAL CHARACTERISTICS AT +25°C UNLESS OTHER SPECIFIED (FOR REFERENCE ONLY. USED FOR CUSTOMER INFORMATION.)

PARAMETER	SPECIFICATIONS		
INSERTION LOSS	100 KHz	1-125 MHz	
	-1.2 dB MAX	-0.2-0.002*f ^{1.4} dB MAX	
RETURN LOSS (Z _{out} = 100 OHM ±15%)	.1-30 MHz	30-60 MHz	60-80 MHz
	-16 dB MIN	-10+20*LOG ₁₀ (f/60 MHz) dB MIN	-10 dB MIN
	(MEASURED AT 100 KHz, 100 mVRMS AND WITH 8 mA DC BIAS)		
INDUCTANCE (OCL) (MEDIA SIDE, 0°C-70°C)	1 MHz	10-100 MHz	
	350 uH MIN	-55+22*LOG ₁₀ (f/10) dB MIN	
CROSSTALK, ADJACENT CHANNELS	2 MHz	30-200 MHz	
	-50 dB MIN	-15+20*LOG ₁₀ (f/200) dB MIN	
COMMON MODE REJECTION RATIO (TYP.)	2 MHz	30-200 MHz	
INPUT - OUTPUT ISOLATION	-50 dB MIN	-15+20*LOG ₁₀ (f/200) dB MIN	
INPUT - OUTPUT ISOLATION	1500 VRMS MIN @ 60 SECONDS		

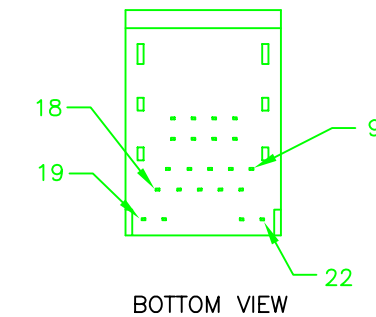
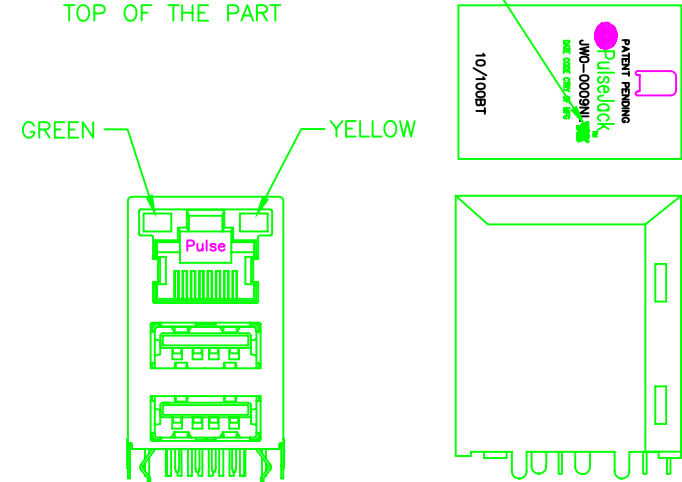
NOTE: f IS FREQUENCY IN MHz.



FINAL OUTLINE NOTE:

- CHECK DIMENSIONS PER PACKAGE SPECIFICATION, ITEM 10.

MARK PART WITH "UL MARK" PER PROCEDURE ITEM 17. MARK POSITION IS OPTIONAL PREFERRED LOCATION IS TOP OF THE PART



FINAL OUTLINE

UNLESS OTHERWISE SPECIFIED, ALL DIMENSIONS ARE IN INCHES TOLERANCES ARE:
 DECIMALS ANGLES
 .XX ±.01 ± 1°
 .XXX ±.005
 DO NOT SCALE DRAWING

SIZE	CAGE CODE	DWG. NO.	REV.
B01961		JWO-0009NL	11
SCALE	CADD FILE	SHEET	
NONE	JWO-0009NL-8	8 OF 8	

PS-2093.004

NOTICE: THE INFORMATION AND DESIGN CONTAINED HEREIN IS THE PROPERTY OF PULSE WHO RESERVES ALL RIGHTS THERETO.

D

C

B

A

D

C

B

A

4

3

2

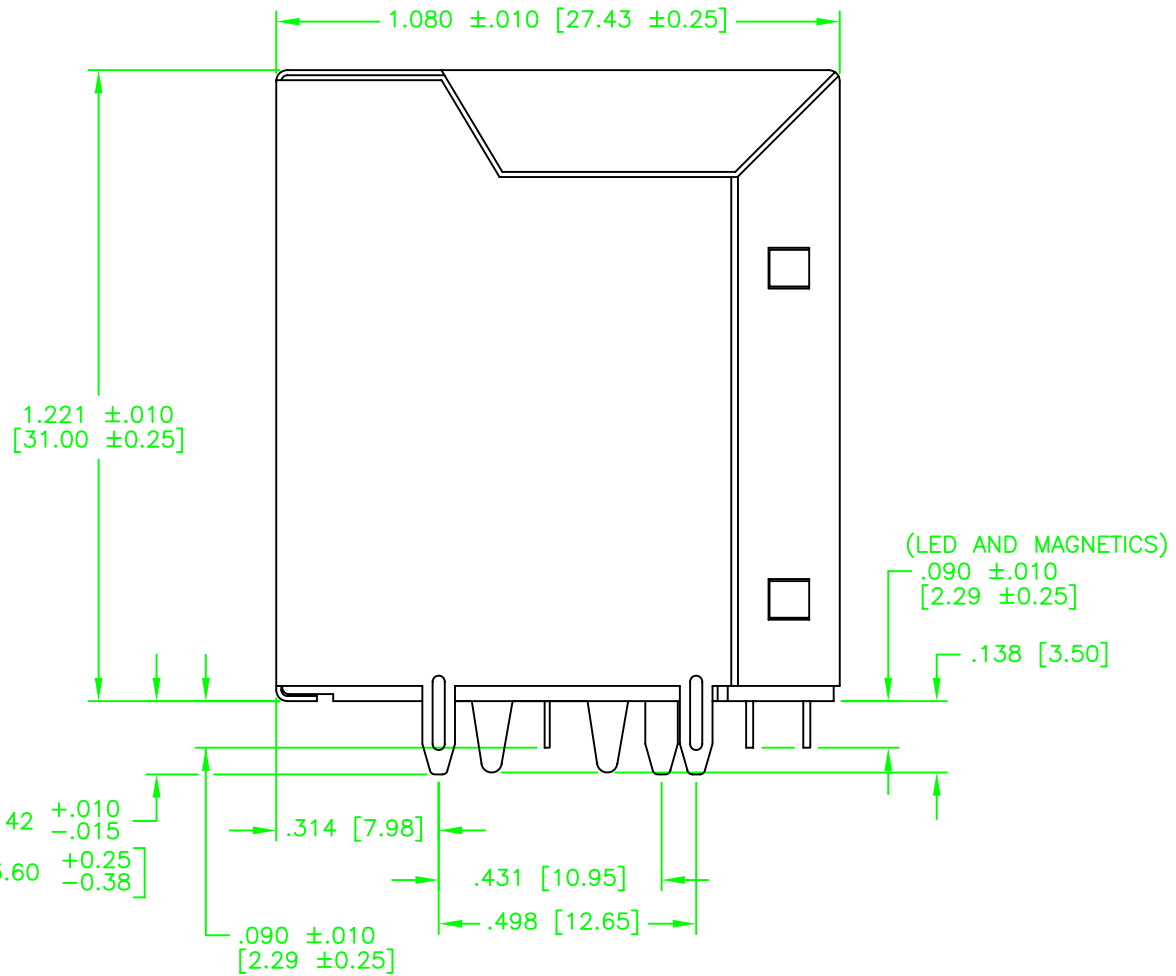
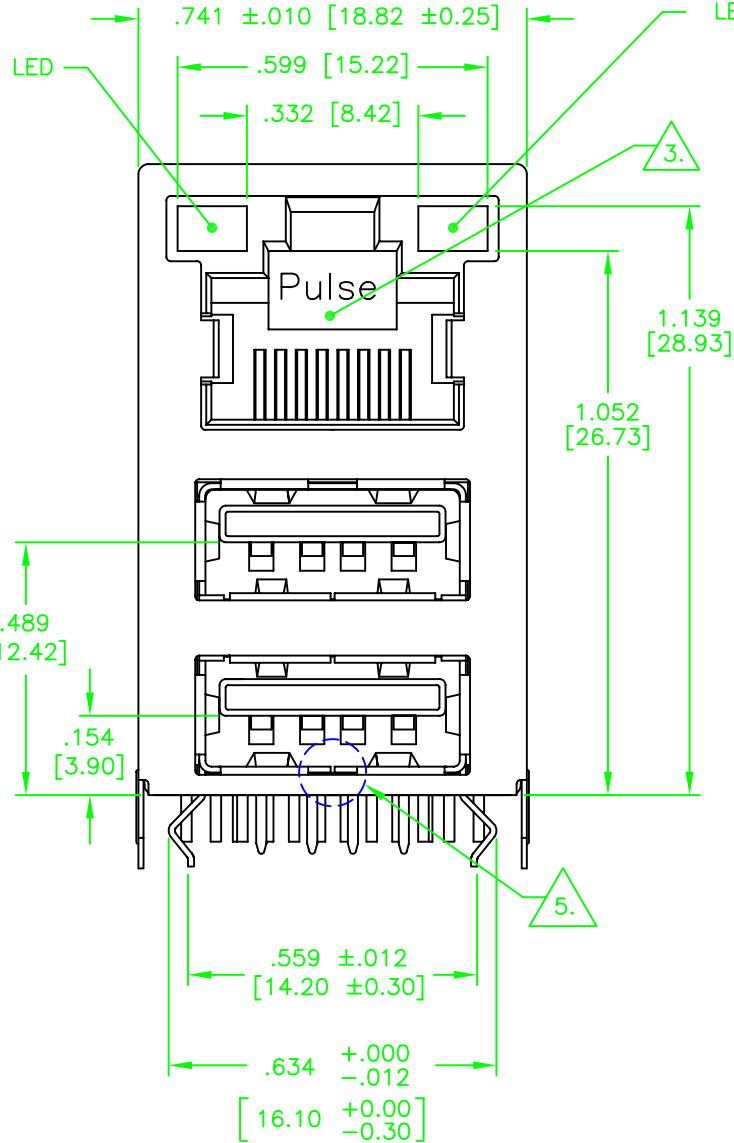
1

4

3

2

1



UNLESS OTHERWISE SPECIFIED, ALL DIMENSIONS ARE IN INCHES. TOLERANCES ARE:

DECIMALS

~~.XX ±.01~~

~~.XXX ±.005~~

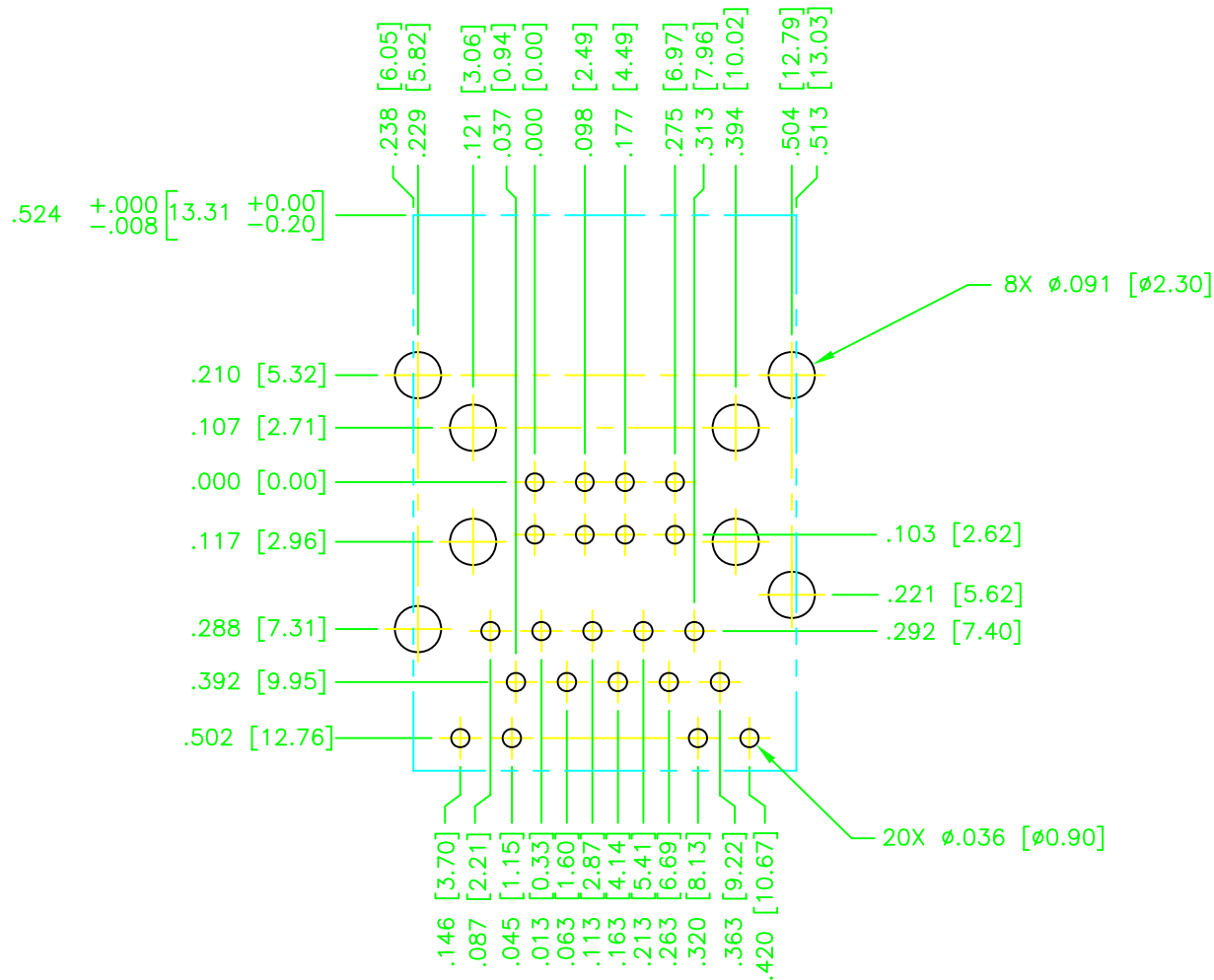
DO NOT SCALE DRAWING

4.

SIZE	CAGE CODE	DWG. NO.	REV
B01961		PS-2093.004	B
SCALE	CADD FILE	SHEET	2 OF 3
4/1	PS-2093.004-2		

PS-2093.004

NOTICE: THE INFORMATION AND DESIGN CONTAINED HEREIN IS THE PROPERTY OF PULSE WHO RESERVES ALL RIGHTS THERETO.



SUGGESTED FOOTPRINT (SHOWN FROM COMPONENT SIDE)

DIMENSIONAL TOLERANCE: INCHES [METRIC]
.XXX ±.003 [X.XX ±0.08]

UNLESS OTHERWISE SPECIFIED, ALL DIMENSIONS ARE IN INCHES
TOLERANCES ARE:

DECIMALS	ANGLES
XX ±.01	1 ±
XXX ±.005	4.

DO NOT SCALE DRAWING

SIZE	CAGE CODE	DWG. NO.	REV
B01961		PS-2093.004	B
SCALE	CADD FILE	SHEET	REV
4/1	PS-2093.004-3	3 OF 3	